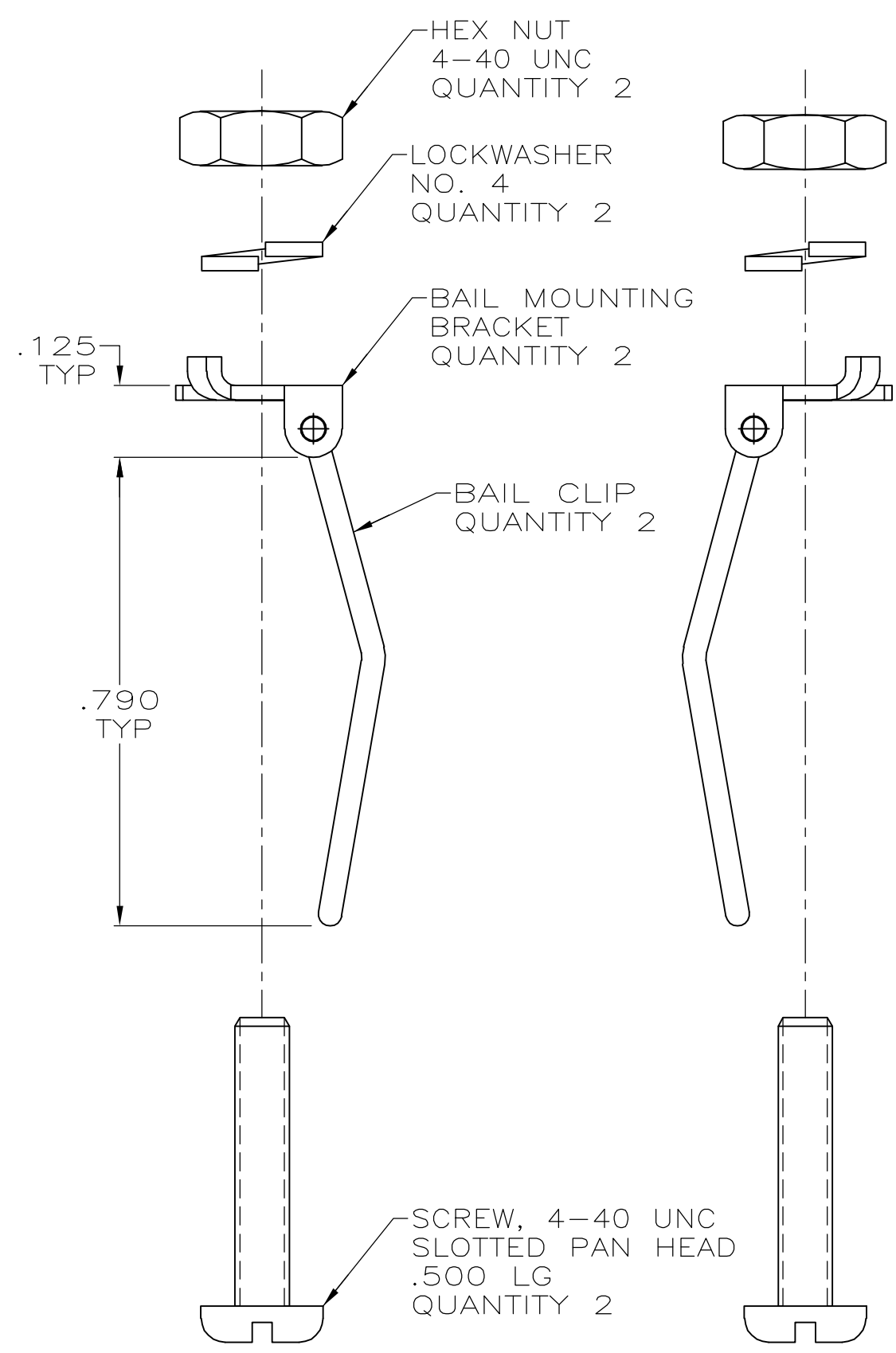
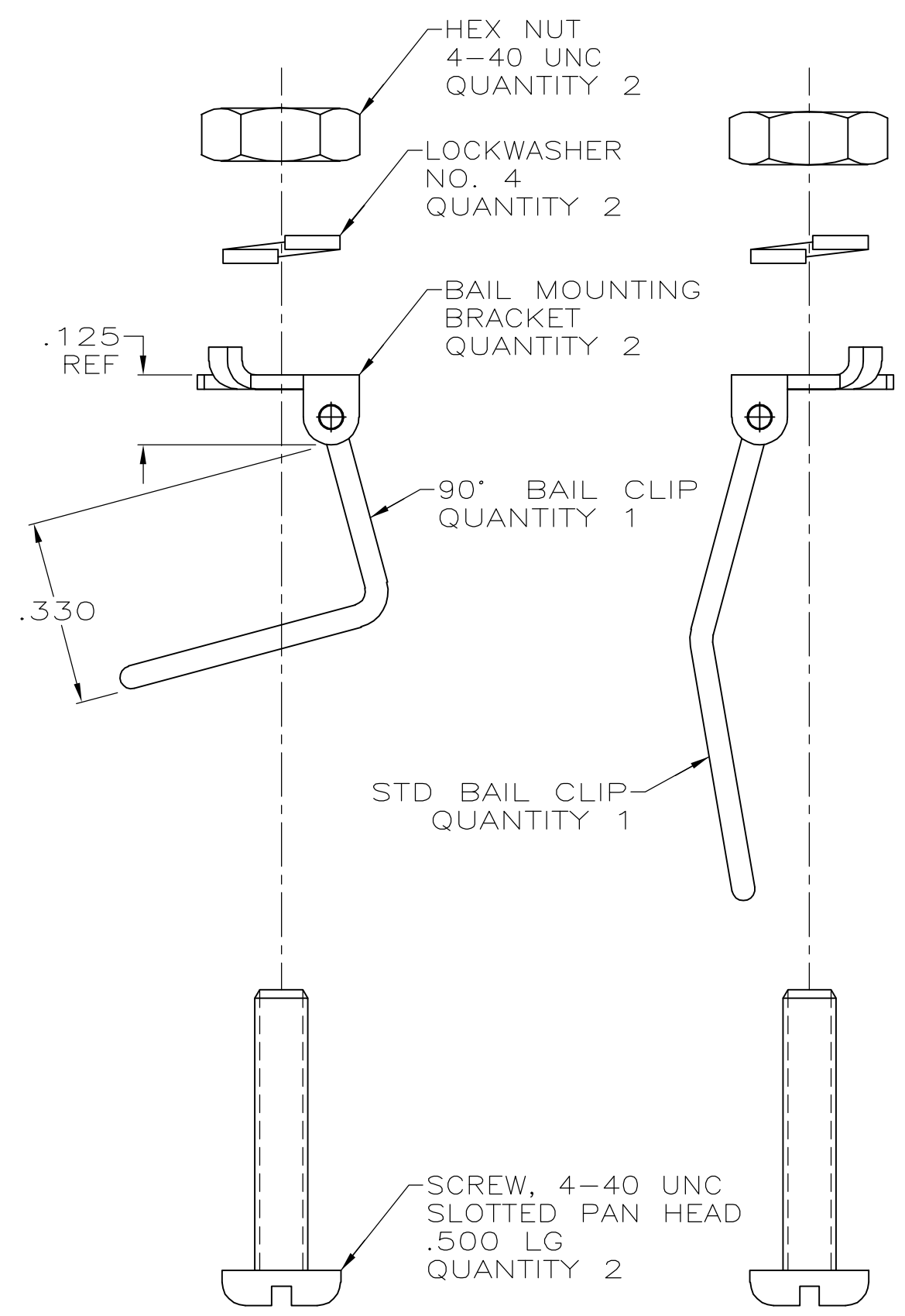


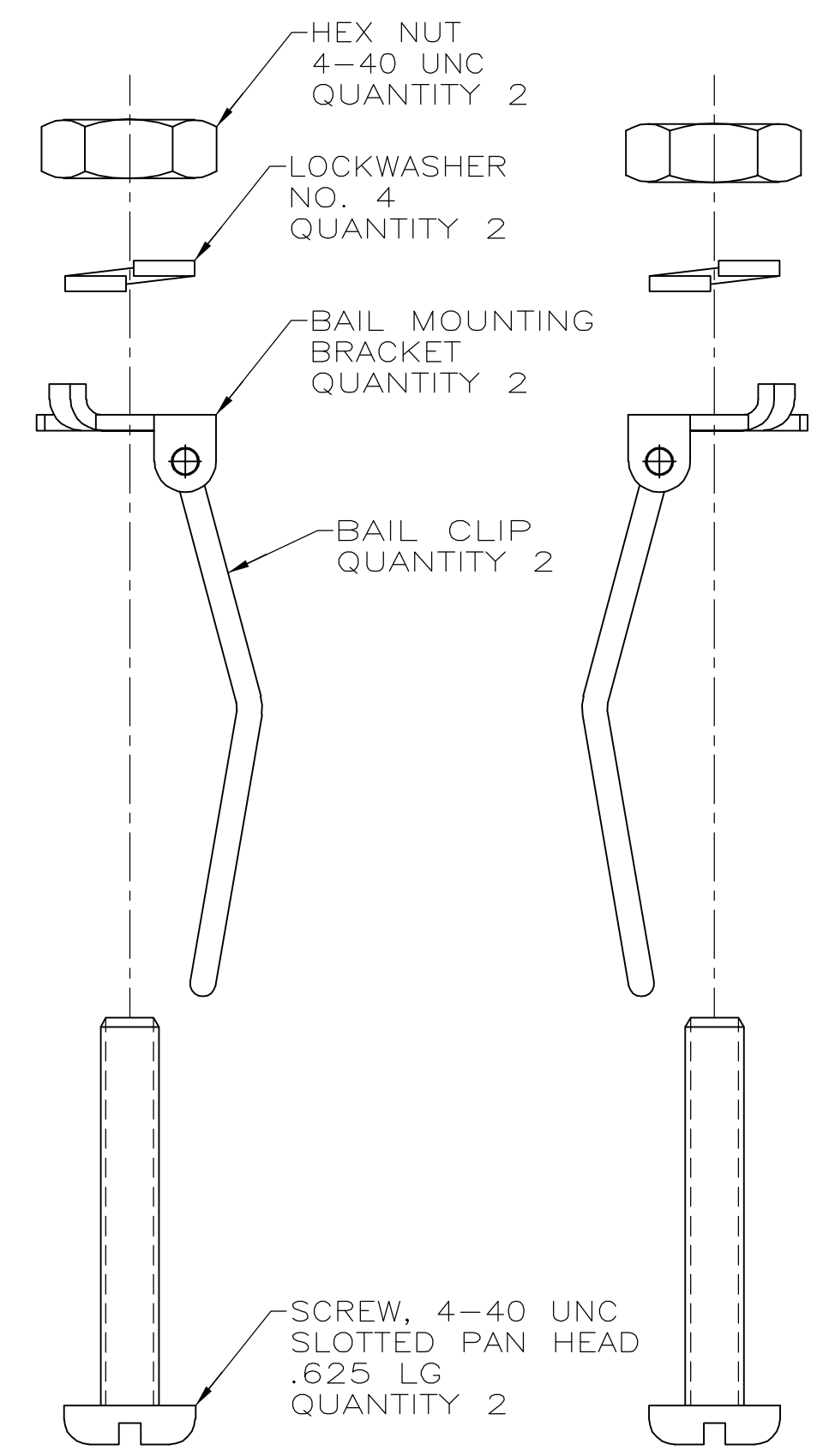
LOC	DIST	REVISIONS			
P	LTR	DESCRIPTION	DATE	DWN	APVD
0		RELEASED PER EC 0513-0288-05	26SEP05	GP	JG



PN 5552567-1



PN 5552567-2



PN 5552567-3

1 MATERIAL: BAIL CLIP - STAINLESS STEEL, PASSIVATED;  
 ALL OTHERS PARTS ZINC PLATED STEEL.  
 2. PARTS SHIPPED LOOSE PIECE IN A BAG OR CONTAINER.

SCREW LGTH.	90° BAIL CLIP	STD. BAIL CLIP	PART NO.
.625	-	2	5552567-3
.500	1	1	5552567-2
.500	-	2	5552567-1

THIS DRAWING IS A CONTROLLED DOCUMENT.

DIMENSIONS: mm [INCHES]	TOLERANCES UNLESS OTHERWISE SPECIFIED:	DWN G.PETERS 26SEP2005	Tyco Electronics Corporation Harrisburg, Pa 17105-3608
0 PLC ± -	1 PLC ± -	CHK W.MILLHIMES 226SEP05	
2 PLC ± -	3 PLC ± -	APVD M.WALMSLEY 26SEP05	NAME HARDWARE KIT, BAIL LOCK, PANEL MOUNTING, CHAMP
4 PLC ± -	ANGLES ± ± -	APPLICATION SPEC	SIZE A2
MATERIAL 1	FINISH 1	WEIGHT -	CAGE CODE 00779
CUSTOMER DRAWING		SCALE 4:1	DRAWING NO G-5552567
		SHEET 1 OF 1	RESTRICTED TO -
		REV 0	